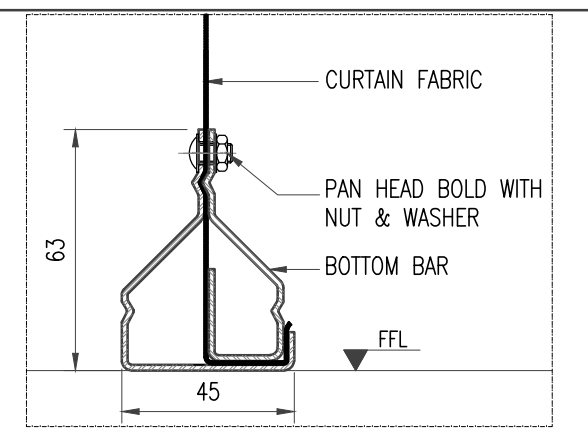


**SMOKE CURTAIN SPECIFICATION:**

CURTAIN	MANUFACTURED FROM WOVEN GLASS FIBRE, FABRIC COATED ON EACH SIDE WITH POLYURETHANE (VG - 455)
BOTTOM BAR	1.5mm THK GALVANISED STEEL BOTTOM BAR POWDER COATED FINISH RAL TO BE CONFIRMED
BOX COVER	1.2mm THK GALVANISED STEEL FINISH POWDER COATED FINISH RAL TO BE CONFIRMED
END PLATE	3mm THK GALVANISED STEEL END PLATES AND BRACKETS
GUIDE RAIL	2mm THK GALVANISED STEEL POWDER COATED FINISH RAL TO BE CONFIRMED
MOTOR	INTERNAL, ELECTRIC, TUBULER GEARED CONSTANT SPEED MOTOR
POWER SUPPLY	SINGLE PHASE, 230V, 13A, 50Hz
FIRE ALARM SIGNAL	VOLTAGE FREE N.C SIGNAL



NOTE:  
ALL DIMENSIONS ARE IN MILLIMETRES UNLESS OTHERWISE STATED.

Rev.	Date	By	Description	Checked	Approved

**Kent** Dubai: Tel: +971 4 288 2575

**AFC** built for fire

Designed M.H. Checked Approved

Scale N.T.S. Drawn M.H. Date 23.09.2018

Project Title :  
**GENERAL ARRANGEMENT**

Drawing Title :  
**SMOKE CURTAIN - MULTIPLE ROLLER**

Drawing No. :  
KFC-SD-SC-002

Rev. 00 Sheet 1 of 1

CAD File Name : SMOKE CURTAIN STANDARD DRAWING