



SYSTEM OVERVIEW

BOUNDARY DEFENDER FIRE CURTAIN E60 [-/60/-]

Description

The Boundary Defender Fire Curtain has been engineered to meet market expectations for an economical solution to the requirements of NCC [1] Clause C3.4 (a)(ii)(c) - Protection of openings on a boundary wall. This versatile system allows for mounting in front of operable non-fire rated windows, providing design freedom for occupant window use and air-flow considerations.

Actuation

The Boundary Defender Fire Curtain will deploy automatically upon release of the thermal fusible link holding it in place. This occurs when critical ambient temperature is reached, allowing the high performance curtain material to prevent the spread of flame smoke and hot gases from a fire event in an adjoining property.

Application

Primarily for protection of openings within boundary walls that are located less than the prescribed distances set out in NCC [1] Clauses C3.2 & C3.3 but can be used wherever INTEGRITY ONLY [up to FRL -/120/-] fire protection is required.

How to Specify

To window openings [Enter Window Number] requiring fire protection as required by NCC [1] clause C3.4 due to proximity with boundary, install Boundary Defender Fire Curtain in accordance with manufacturers instructions and tested/assessed prototypes. Installation must be carried out by an installer approved by the manufacturer and the completed installation must be certified in accordance with NCC [1] C3.4 and AS 1530.4 for a fire rating of -/60/-. The Defender Fire Boundary Curtain is available through Australian Fire Control.

Sales@AustralianFireControl.com.au | 08 9399 6957

Finish

Powder coated to any colour in the Dulux Duralloy range to match building façade.

Maintenance

The Boundary Defender Fire Curtain is a critical life safety element of the building and as such MUST be maintained to AS1851 requirements, with electronic and hard copy service records kept. Failure to have this system properly maintained will void warranty to the extent permitted by law.

KEY FEATURES

- Ultra slim unobtrusive design.
- Easily retrofit over existing windows.
- **No electrical requirements.**
- Face or reveal fixing choice available.
- High quality product.
- 1 year conditional warranty.
- Custom built to suit window or door size.

Maximum Size

3000mm high x 3000mm wide
For larger sizes ask us about our motorised fire curtains.



100% Australian owned & operated



No power, alarm signal or control equipment required.



Australian Fire Control Pty Ltd

Phone: [08] 9399 6957

Email: Sales@AustralianFireControl.com.au

Perth Office: 17 Williams Road Kelmscott WA 6111

Melbourne Office: Level 3, 480 Collins Street, Melbourne VIC 3000

System Overview

BOUNDARY DEFENDER FIRE CURTAIN E60 [-/60/-]

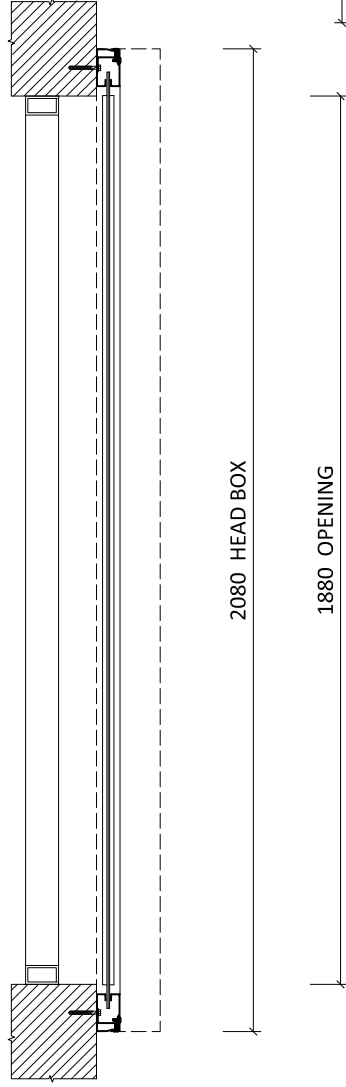
Document Number: B/FC/E60-2020/01

BOUNDARY FIRE CURTAIN

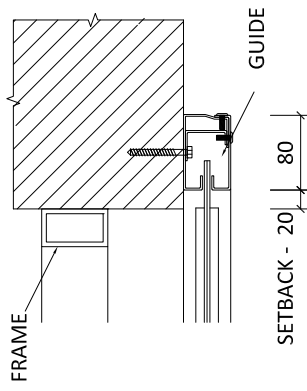
TO SUIT WALL OPENING
1880(W) x 1500(H)

ELEVATION (SCALE 1:16)

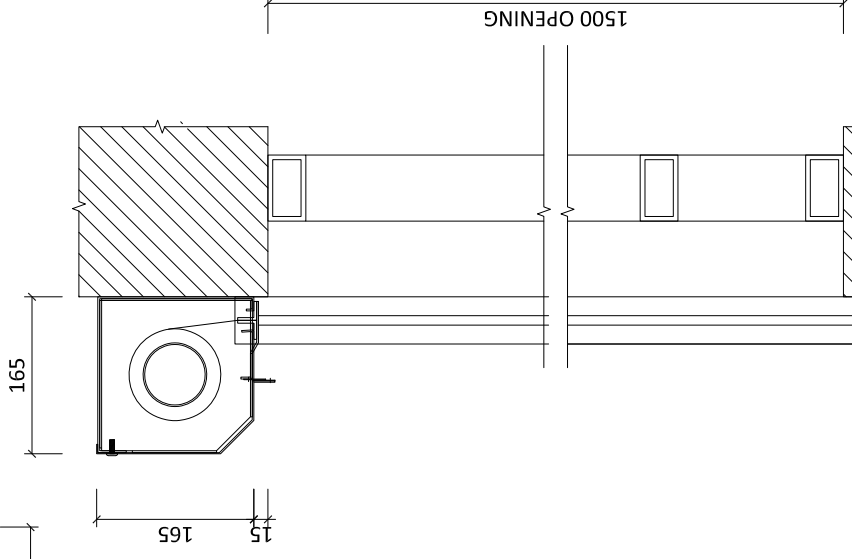
PLAN (SCALE 1:16)



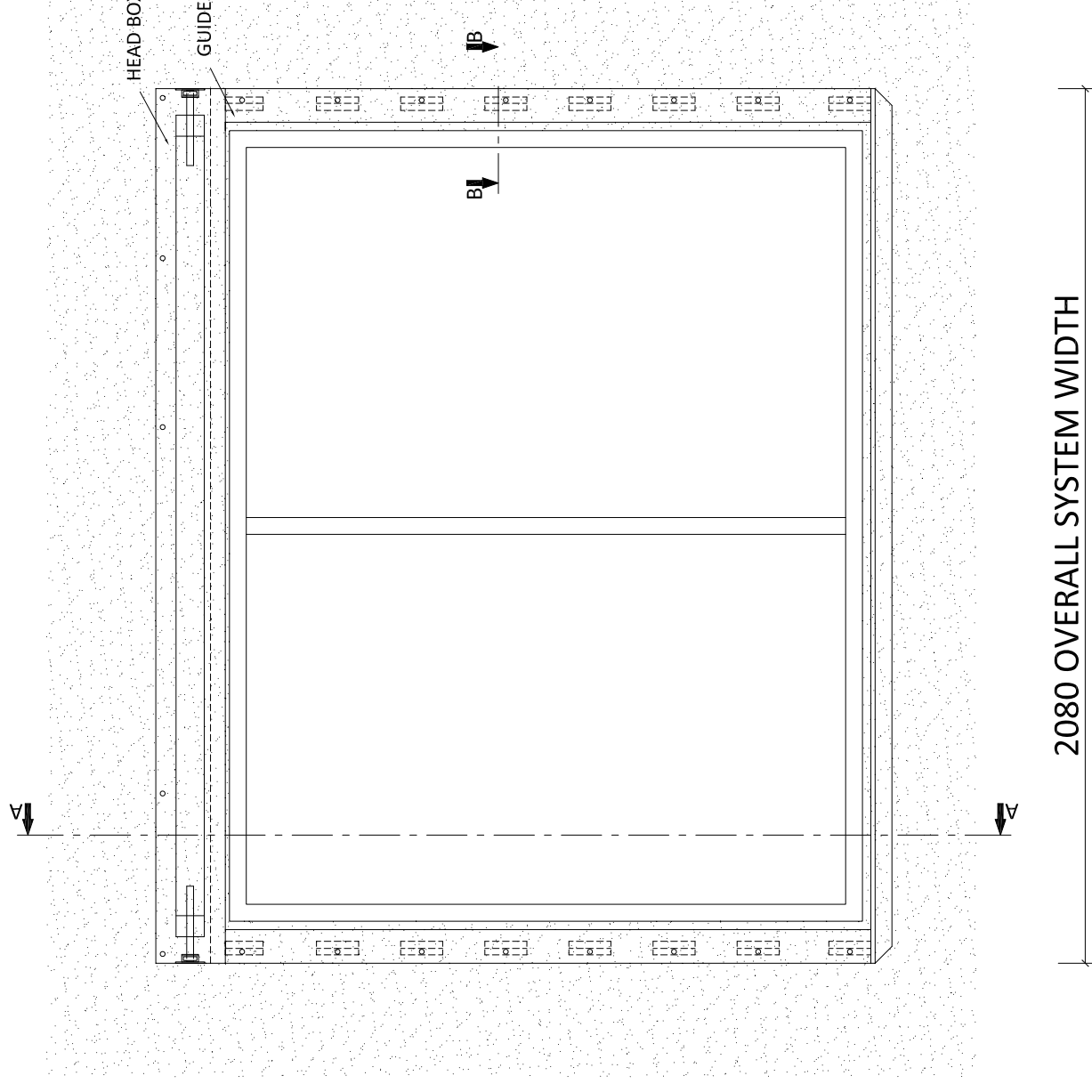
1750 OVERALL SYSTEM HEIGHT



SECTION B-B (SCALE 1:8)



SECTION A-A (SCALE 1:8)



NOTE:
METAL COMPONENTS = GALVABOND STEEL POWDERCOATED.
COLOUR - TBC



**AUSTRALIAN FIRE CONTROL
PTY LTD**
ADDRESS: 17 WILLIAMS ROAD KELMSCOTT WA 6111
POSTAL: PO BOX 1008 DC WA KELMSCOTT 6977
PHONE: 08 9399 6957
EMAIL: SALES@AUSTRALIANFIRECONTROL.COM.AU
ANR: 27997 781 081
ACN: 145 672 859

Products & Services:
• Fire Rated Doors & Windows
• Fire & Smoke Curtains
• Fire & Smoke Protection
• Firework, Penetrations & Enclosures
• Firework Upgrades
www.australianfirecontrol.com.au

AUSTRALIAN FIRE CONTROL PTY LTD SHOP DRAWING ACCEPTANCE:
1: ACCEPTED, WORK MAY PROCEED
2: ACCEPTED, WITH COMMENTS, PROCEED WITH WORK - RESUBMIT CHANGES
3: NOT ACCEPTED, DO NOT PROCEED, REVISED AND RE-SUBMIT
NAME: _____ POSITION: _____
DATE: ____/____/____ SIGN: _____

IMPORTANT INFORMATION REGARDING THIS SHOP DRAWING:

This is a production document based on our understanding of project requirements. It is important to note that material will be manufactured from this information. Please be aware that production will NOT commence without signed acceptance. Signed acceptance is contractual confirmation that product drawn meets with all Drawings, Specifications and Schedules for this project to the best of your knowledge.

NOTES:

REV	INT	DETAILS	DATE
0	SP	Initial Draft	17/07/20

BOUNDARY FIRE SHUTTER

GENERIC ELEVATION

DRAWING NUMBER: 1000.108
PROJECT NUMBER: N/A

DRAWN BY: Sujin
DATE: 17/07/20
SCALE: 1:16 (A3)
REV. 0

Commercial In Confidence.
This document is commercially sensitive and must NOT be disseminated to a third party without first obtaining written permission from Australian Fire Control Pty Ltd.