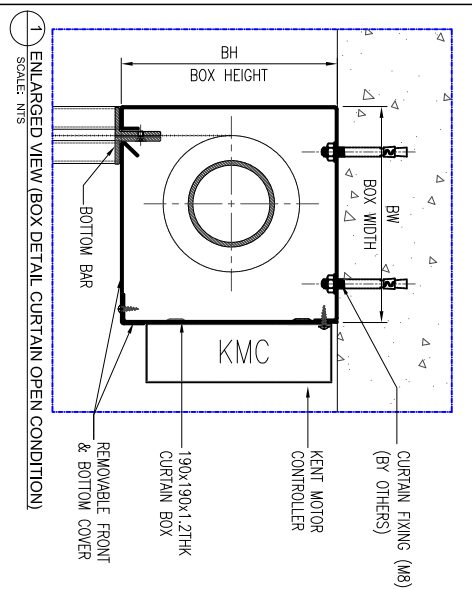
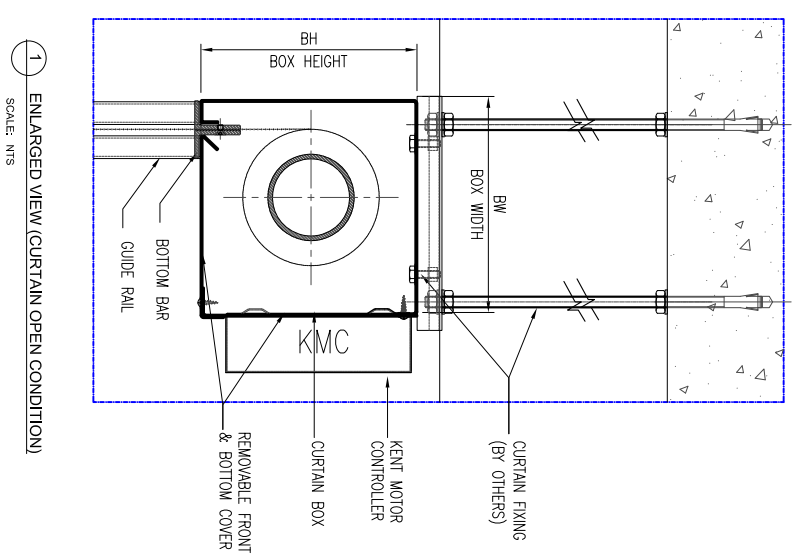


DIRECT FIXING



THREAD ROD FIXING



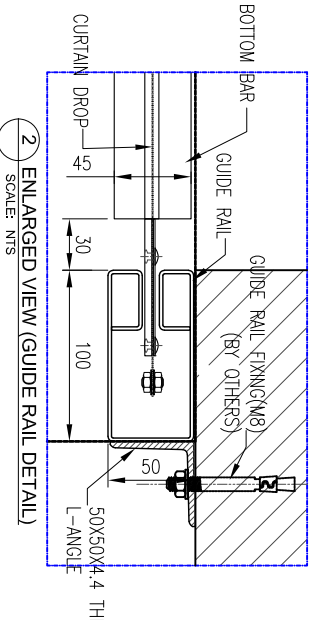
Head Box, Bottom Bar, & Guide Rail Powder Coating to be confirmed.

Guide Fixing Option to be confirmed

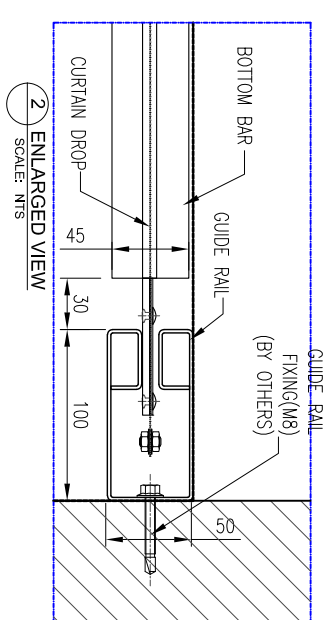
FIRE CURTAIN SPECIFICATION:

CURTAIN	MANUFACTURED FROM STAINLESS STEEL, WIRE REINFORCED, WOVEN GLASS FIBRE, FABRIC COATED ON EACH SIDE WITH POLYURETHANE (VMG-890)
BOTTOM BAR	1.5mm THK GALVANISED STEEL, BOTTOM BAR POWDER COATED FINISH TO BE CONFIRMED
BOX COVER	1.2mm THK GALVANISED STEEL FINISH
END PLATE	3mm THK GALVANISED STEEL END PLATES AND BRACKETS
GUIDE RAIL	2mm THK GALVANISED STEEL POWDER COATED FINISH TO BE CONFIRMED
MOTOR	INTERNAL, ELECTRIC, TUBULAR GEARED CONSTANT SPEED MOTOR
POWER SUPPLY	SINGLE PHASE, 230V, 13A, 50HZ
FIRE ALARM SIGNAL	VOLTAGE FREE NC SIGNAL

FACE FIXING



END FIXING



Kent Kent Smoke and Fire Curtains
Dubai: Tel: +971 4 288 2575

Project Title : INDICATIVE DRAWING

Drawing Title : INDICATIVE SHOP DRAWING FOR SINGLE ROLLER FIRE CURTAIN

Rev.	Date	By	Description	Checked	Approved	Scale	Drawn	Date	Approved	Drawing No. :	Rev.	Sheet
						N.T.S.	MRK	16.04.19		KFC-ID-SR-001	00	1 of 1
										CAD File Name : indicative shop Drawing.dwg		A3

NOTE: ALL DIMENSIONS ARE IN MILLIMETRES UNLESS OTHERWISE STATED.