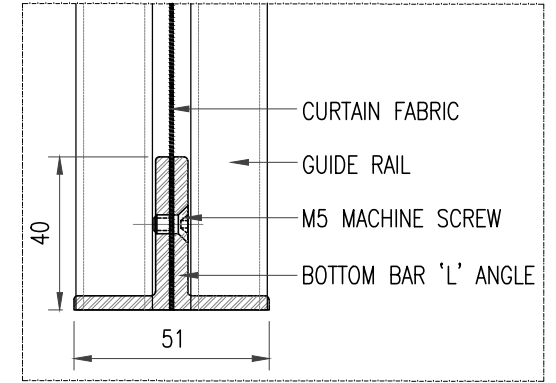


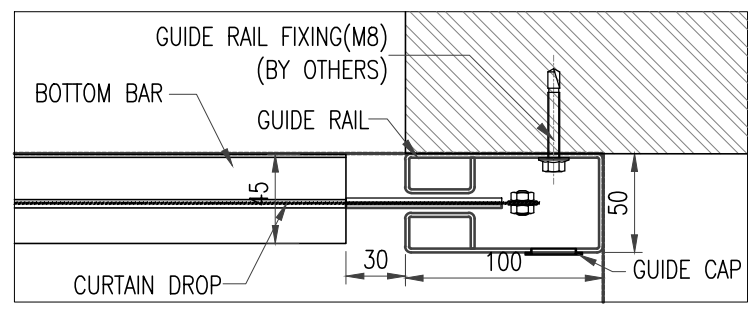
1 ENLARGED VIEW (CURTAIN OPEN CONDITION)
SCALE: NTS

FIRE CURTAIN SPECIFICATION:

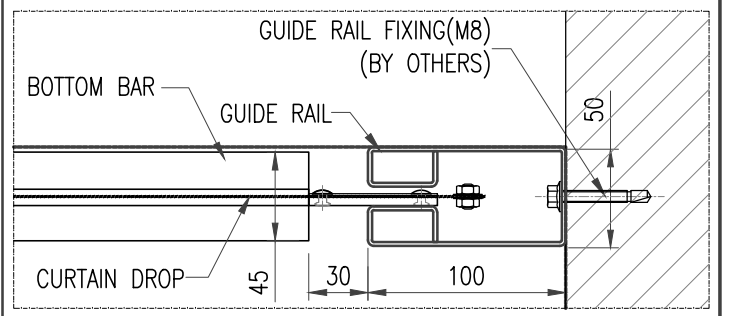
CURTAIN	MANUFACTURED FROM STAINLESS STEEL WIRE REINFORCED,WOVEN GLASS FIBRE,FABRIC COATED ON EACH SIDE WITH POLYURETHANE (VWG - 690)
BOTTOM BAR	40x25x4.7 THICK STEEL ANGLE BOTTOM BAR POWDER COATED FINISH RAL TO BE CONFIRMED
BOX COVER	1.2mmTHK GALVANISED STEEL FINISH POWDER COATED FINISH RAL TO BE CONFIRMED
END PLATE	3mmTHK GALVANISED STEEL END PLATES AND BRACKETS
GUIDE RAIL	2mmTHK GALVANISED STEEL POWDER COATED FINISH RAL TO BE CONFIRMED
MOTOR	INTERNAL, ELECTRIC, TUBULER GEARED CONSTANT SPEED MOTOR
POWER SUPPLY	SINGLE PHASE, 230V,13A,50Hz
FIRE ALARM SIGNAL	VOLTAGE FREE N.C SIGNAL



3 ENLARGED VIEW (BOTTOM BAR DETAILS)
SCALE: NTS



2 ENLARGED VIEW (GUIDE RAIL FACE FIXING DETAIL)
SCALE: NTS



2 ENLARGED VIEW (GUIDE RAIL DETAIL)
SCALE: NTS

NOTE:
ALL DIMENSIONS ARE IN MILLIMETRES UNLESS OTHERWISE STATED.

Rev.	Date	By	Description	Checked	Approved

Kent Dubai:Tel:+971 4 288 2575
Smoke and Fire Curtains

AFC BUILT FOR FIRE

Designed M.H. Checked Approved
Scale N.T.S. Drawn M.H. Date 23.09.2018

Project Title :
GENERAL ARRANGEMENT

Drawing Title :
FIRE CURTAIN - MULTIPLE ROLLER

Drawing No. :
KFC-SD-FC-002

Rev. 00 Sheet 1 of 1

CAD File Name : FIRE CURTAIN STANDARD DRAWING(MR) 1.dwg